

Conditions for transportation and storage

Ambient temperature: $-40^{\circ}\text{C} \sim +55^{\circ}\text{C}$

Relative humidity: $\leq 93\%$

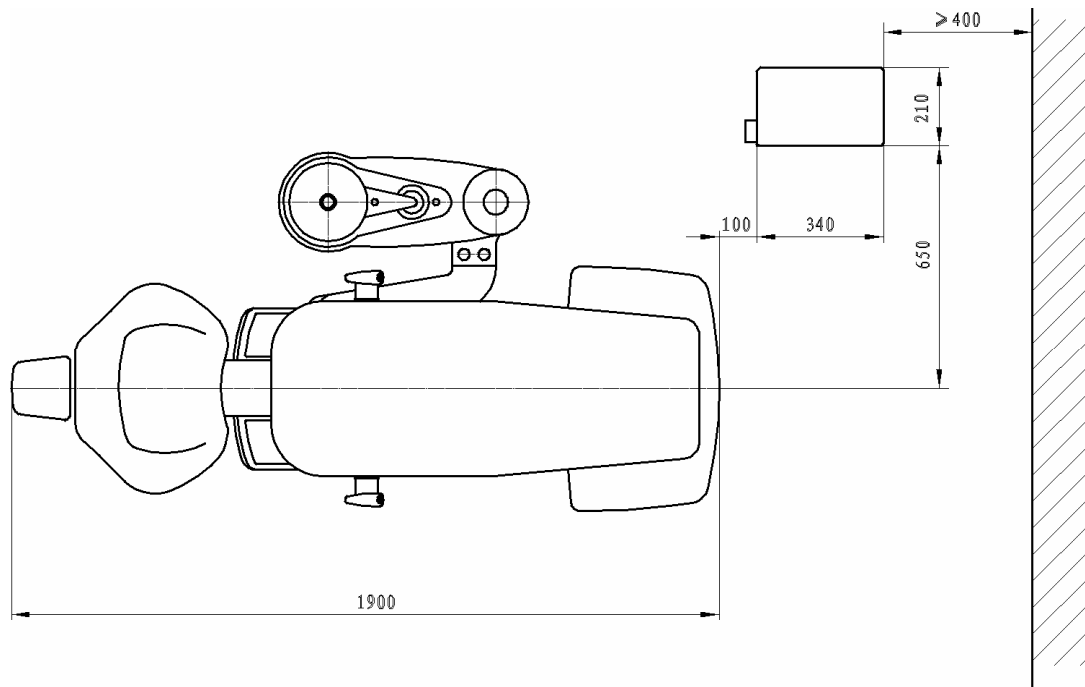
Atmospheric pressure: $500\text{hPa} \sim 1060\text{hPa}$

Conditions for use

Power supply	Voltage: $198\text{V} \sim 242\text{V}$	Frequency: $49\text{Hz} \sim 51\text{Hz}$
Air supply	Atmospheric pressure: $\geq 0.55\text{MPa}$	Flow: $\geq 50\text{L}/\text{min}$
Water supply	Water pressure: $0.2\text{MPa} \sim 0.4\text{MPa}$	Flow: $\geq 10\text{L}/\text{min}$
Ambience	Temperature: $5^{\circ}\text{C} \sim 40^{\circ}\text{C}$	Relative humidity: $\leq 80\%$

Preparation for installation

- The product should be gently loaded and unloaded according to the conditions of “handle with care”, “keep from moisture”, and “wooden-case upward”.
- Properly locate dental chair, dental unit and floor box, taking the size showed, layout of clinic, lighting and convenience for use into consideration.



Add: No.628,Nanzhai Village, Xinsi Town, Fengxian District, Shanghai, P.R. of China

Tel: 0086-021-57494274

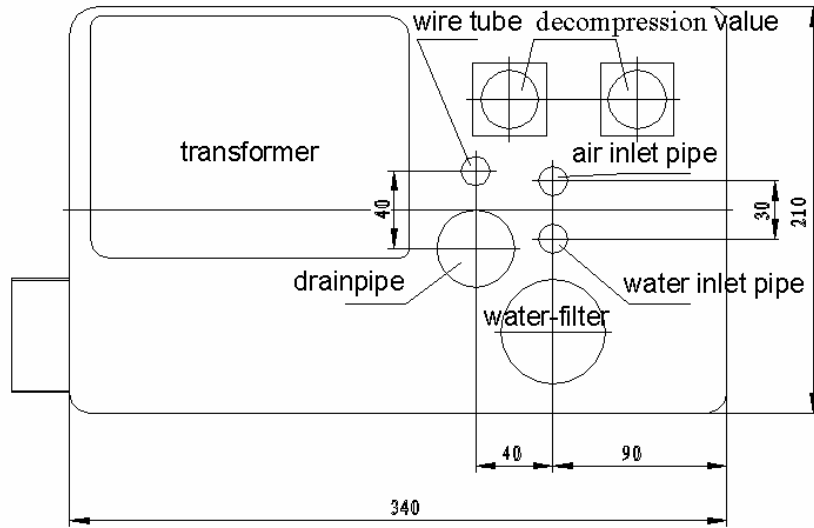
Fax: 0086-021-57494264

Zip: 201416

Web site: www.ye-shine.com

E-mail: info@ye-shine.com

- Arrange water (air)-inlet pipes, drainpipes and electric tubes within the range of floor box according to the inner structure of floor box.

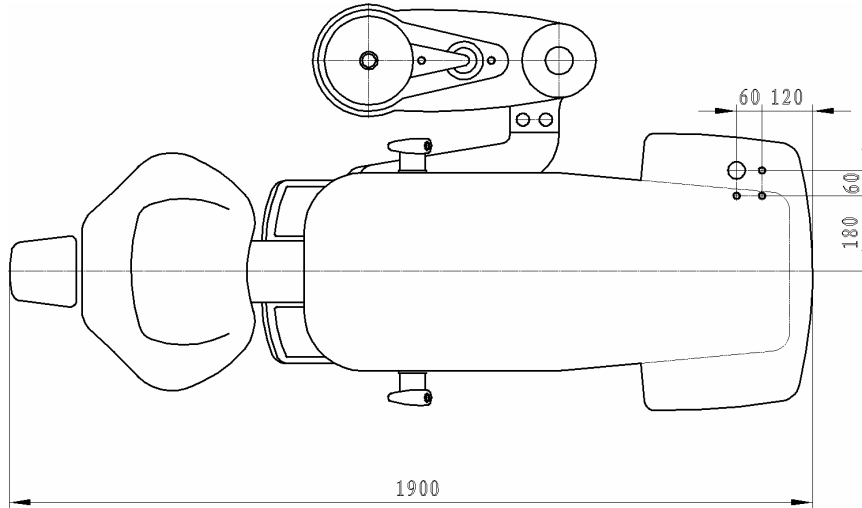


The specification of the pipes and their height revealed out of the ground:

Name	Specification	Height revealed out of ground	Remark
Water-inlet pipe	Φ 15mm($1/2$ ") Tap-water pipe	20mm	Nozzle thread: G $1/2$ "
Air-inlet pipe	Φ 15mm($1/2$ ") Tap-water pipe	20mm	Nozzle thread: G $1/2$ "
Drain pipe	Φ 40mm($1\ 1/2$ ") Tap-water pipe	20mm	
Mains wire		50mm	

The sheathed mains wire of 2mm² cross-section should be 3-core with unsheathed length of 400mm.

- If the product is with built-in floor box, properly locate dental chair and dental unit, taking the size showed, layout of clinic, lighting and convenience for use into consideration. And, locate water (air)-inlet pipes, drainpipes within the range of floor box according to the inner structure of floor box.



Installation steps

- Checking

First, check if the package is in good condition, preventing damage or moist. Open the package to see if all accessories are integrally attached according to the packing list. If there is problem, please contact with dealer or our company.

- Locating

It is suggested to fix the unit at the prepared place of the ground by 6mm dilatation bolt. If it is unable to fix by bolt, please ensure a flat and neat place with gradient less than 3° (Uneven ground could affect performance and as far as to cause accident).

Before locating the floor box at selected place, water and air remained in water (air)-inlet pipes should be discharged into drainpipe by a soft tube, so as to clean the impurity in the pipes.

Important notice:

- (1) Only the bottom of the product could bear force when transporting.**
- (2) Hold the balance arm by hand to avoid any accident during transportation (Never exert force on the balance arm).**

➤ Pipes connection and circuit connection

1、 Connection for water/air pipes

Connect water (air)-inlet pipes with accessories of outer joint, coupling joint, straight joint, and $\Phi 8 \times 1$ PU tube. The transparent PU tube is for water inlet and the black one is for air inlet (Any leak is not allowed) .

2、 Circuit connection

According to the electrical diagram, connect mains wire and ground wire. Be sure to tightly connect jack-in pieces for power supply and control wires between chair and unit.

Straight joint
G1/4"× $\phi 8$



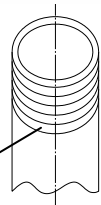
Coupling joint
G1/4"×G1/2"



Outer joint G1/2"

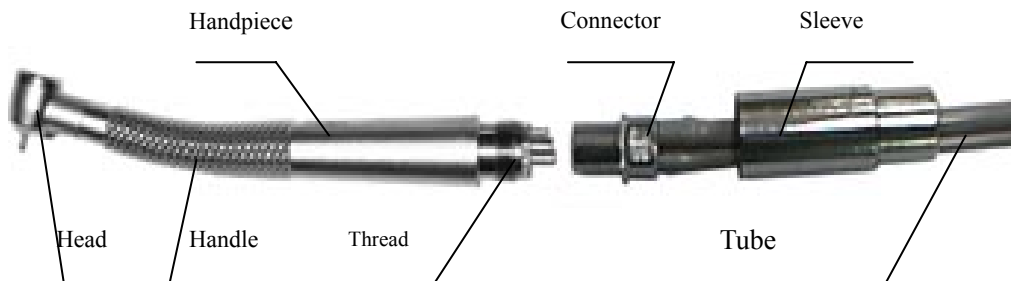


Water(air)-inlet joint
 $\phi 15\text{mm}$ (1/2")



➤ **Installation for handpiece**

- 1、 Aim the four holes on the connector at the corresponding tubes of handpiece.
- 2、 Screw the sleeve onto the thread of the handpiece. Any leak is not allowed.



Important notice:

- (1) **The thread of the handpiece is extremely fine. Please be careful to screw on, preventing any damage.**
- (2) **Never run the handpiece without bur or trial bar.**